

# PANZERI

## Zero Round

220-240V AC dimmable (DALI/Push DIM)

P03330.100.0402

titanium



### Data sheet

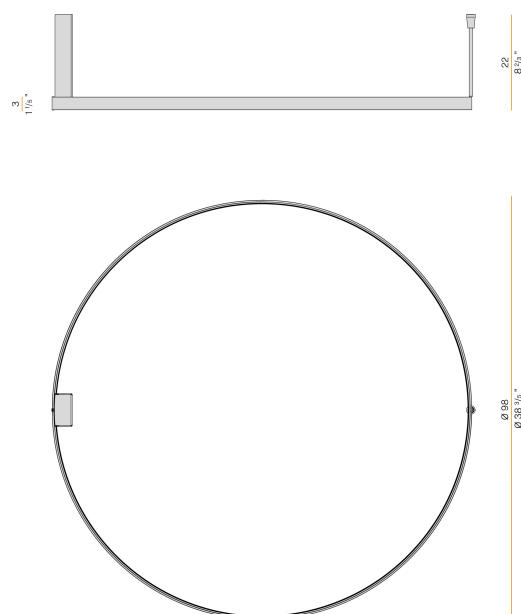
CODE	P03330.100.0402
SYSTEM POWER CONSUMPTION	54W
EFFICACY	75.54lm/W
LIGHT SOURCE	LED
LIGHT SOURCE LIFETIME	L70 (B50) 60.000h
COLOUR TEMPERATURE	3000K Ra>90
LIGHT DISTRIBUTION	diffused
POWER SUPPLY	220-240V AC
FREQUENCY	50/60Hz
ELECTRICAL CONFIGURATION	dimmable (DALI/Push DIM)
DRIVER	integrated included
NOMINAL LUMINOUS FLUX	5670lm
LUMEN OUTPUT	4079lm
EFFICIENCY	71.9%
WEIGHT	2,06 Kg
PROTECTION DEGREE	IP20
COLOUR TOLLERANCES	SDCM 3
PACKING DIMENSIONS	107,0 x 107,0 x 11,0 cm



Ceiling or wall lighting fixture for interiors, with direct and indirect light emission.  
Pickled sheet metal ceiling or wall bracket in polyacrylic paint.  
Pickled sheet metal wall plate in polyacrylic paint.  
Bended extruded aluminium structure in white, black, bronze, mat brass or titanium polyacrylic paint.  
Extruded polycarbonate diffuser with opaline finish.



### Technical drawing



### Application



### Polar diagram

